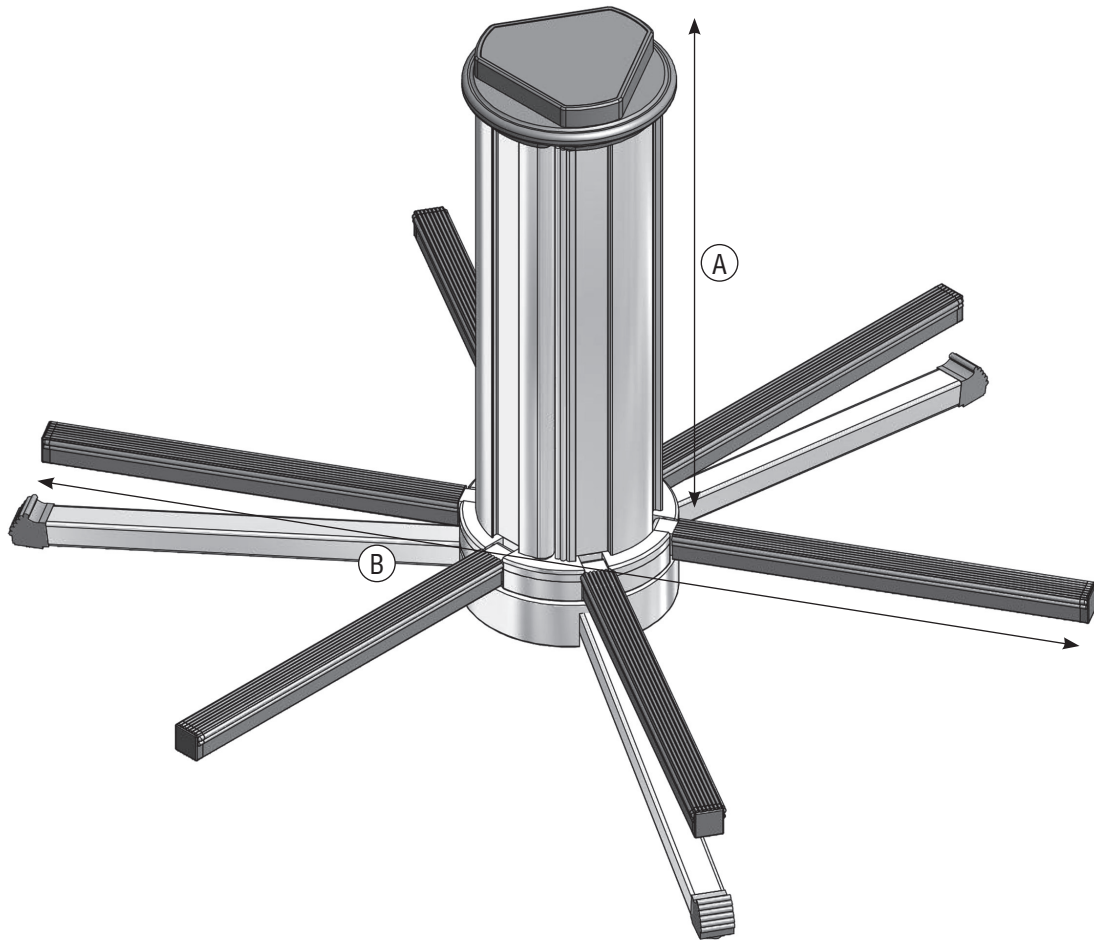


Clou



TECHNICAL DATA

Load-bearing capacity	80 kg
Coil -Ø	750 mm
Core -Ø min.	150 mm
max.	260 mm
A) Core height	350 mm
B) Working field	800 x 800 mm
Storage capacity (Ø, H)	170 mm, 455 mm
Weight	8,5 kg

ORDER CODE

Clou incl. carrying bag	A90220
-------------------------	--------