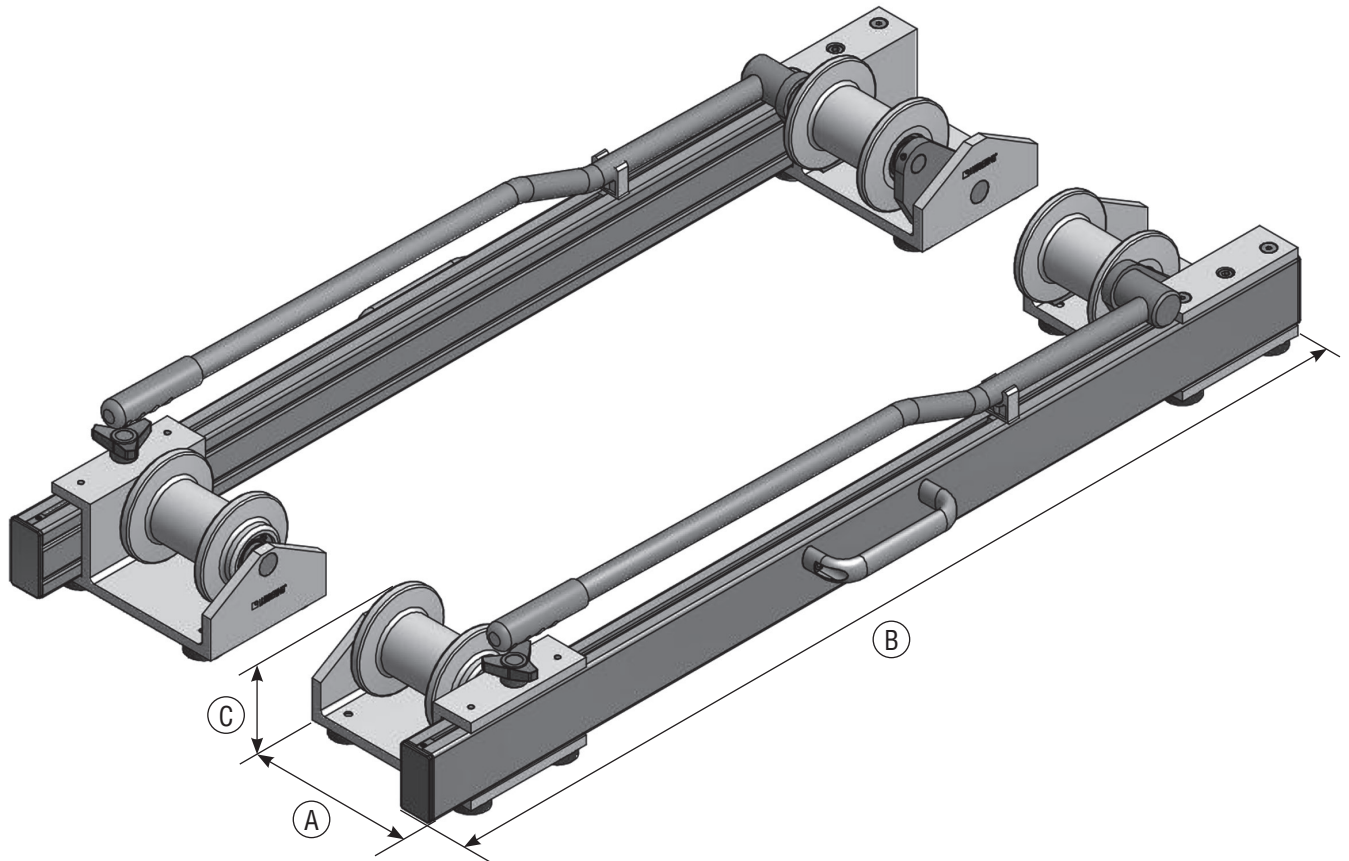


Jumbo



TECHNICAL DATA

Max. uncoiling weight for wooden drums*	700 kg
Total load-bearing capacity	1,500 kg
Ø of drum min.	500 mm
max.	1,800 mm
A) Width	276,5 mm
B) Length	1,206 mm
C) Height	195 mm
Weight per element	17 kg

ORDER CODE

Jumbo A90102

*Attention!

Due to the condition of the wooden drum, which is very poor in places, we would like to remind you that the unwinding weight of 700 kg should not be exceeded.