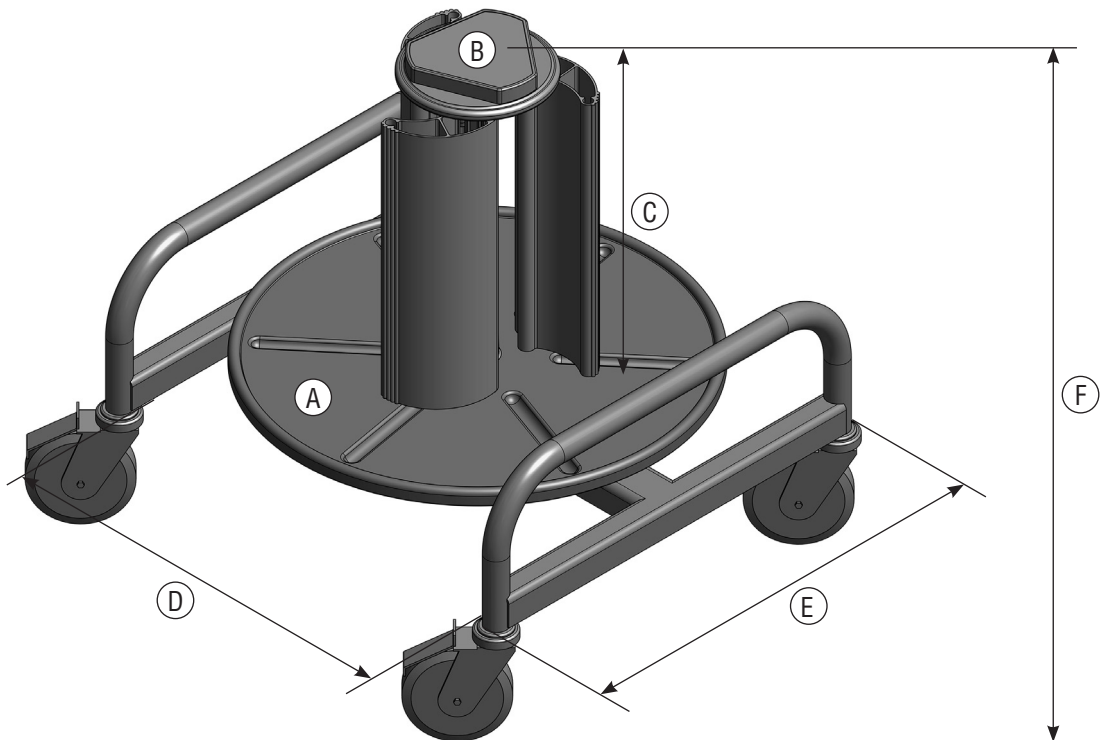


Vario



TECHNICAL DATA

A) Ø of table for unreeling	450 mm
B) Core-Ø min. max.	150 mm 260 mm
C) Core height	300 mm
Reception rack	
D) Width	510 mm
E) Depth	460 mm
F) Overall height	435 mm
Load-bearing capacity	50 kg
Weight	15,5 kg

ORDER CODES

Vario incl. castors (set = 4 pcs.)	A90206
--	--------

ACCESSORIES

Conversion set VarioSlim*	A90205
---------------------------	--------

*If you are already in possession of a Vario we can offer you the means to convert your Vario into a VarioSlim by using the VarioSlim conversion kit. It is fast to install and cost efficient.

LÜBBERING Lübbering Abrollsysteme e.K.

Industriestraße 4 | 33442 Herzebrock-Clarholz | Germany | Fon +49 (5245) 8309-374 | Fax +49 (5245) 8309-274
www.rollprofi.de | info@rollprofi.de